

# TOL-K9EUG1D

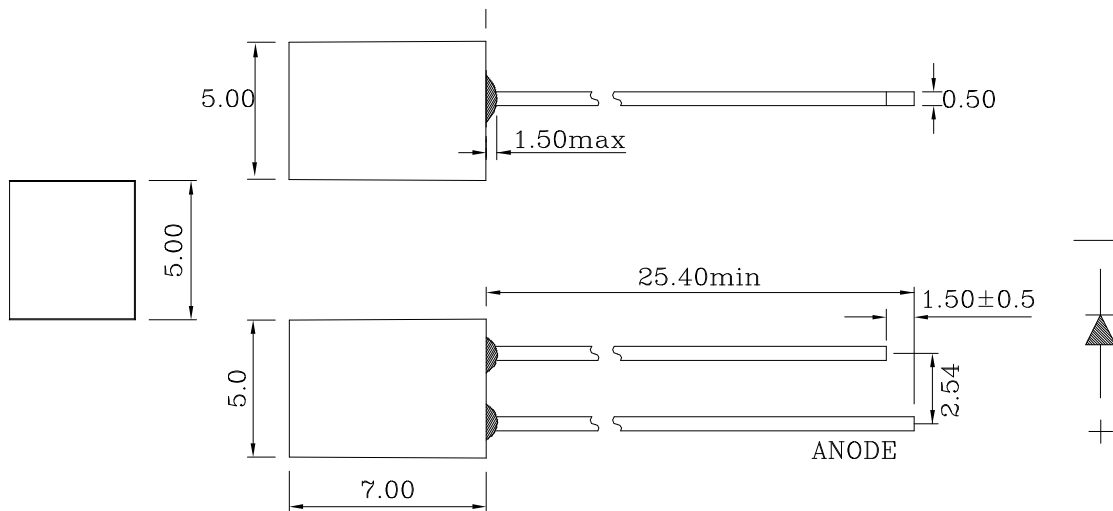
## Lamp LED

Part Number	Chip		Lens Color
	Material	Source Color	
TOL-K9EUG1D	InGaN	Green	Green Diffused

### Features

- I.C. compatible.
- Low power consumption.
- Compatible with wave soldering process.
- (5mm\*5mm\*7mm) rectangular package.
- Common cathode.
- Long life, stable and reliable.
- RoHS compliant.

### Dimensions



#### Notes:

1. All dimensions are in millimeter.
2. Tolerance is  $\pm 0.25$ mm unless otherwise noted.

## Absolute Maximum Rating @ Ta=25°C

Parameter	Maximum Rating	Unit
Peak Forward Current (1/10 Duty Cycle, 0.1ms Pulse Width)	100	mA
Power Dissipation	75	mW
Continuous Forward Current	30	mA
Reverse Voltage	5	V
Operating Temperature Range	-40°C to +80°C	
Storage Temperature Range	-40°C to +100°C	
Wave Soldering Profile For Lead Free Soldering	260°C for 5 Sec	

## Electrical / Optical Characteristic @ Ta=25°C

Parameter	Symbol	Min.	Typ.	Max.	Unit	Test Condition
Luminous Intensity	$I_v$		10		mcd	$I_F=20mA$
Viewing Angle	$2\theta_{1/2}$		170		deg	$I_F=20mA$
Dominant Wavelength	$\lambda_d$		570		nm	$I_F=20mA$
Spectral Line Half-Width	$\Delta\lambda$		22		nm	$I_F=20mA$
Forward Voltage	$V_F$		2.0		V	$I_F=20mA$
Reverse Current	$I_R$			10	$\mu A$	$V_R=5V$

\* Please refer to CIE 1931 chromaticity diagram.