

## BRP系列

电容品牌: BIGCAP®

引出方式: 导针引出

标称容量: 0.1F~360F

额定电压: 2.8V/3V

计量单位: 只

外型结构: 圆柱

耐温性能: -40°C~+65°C



ROther  
Technologies  
罗文姆科技

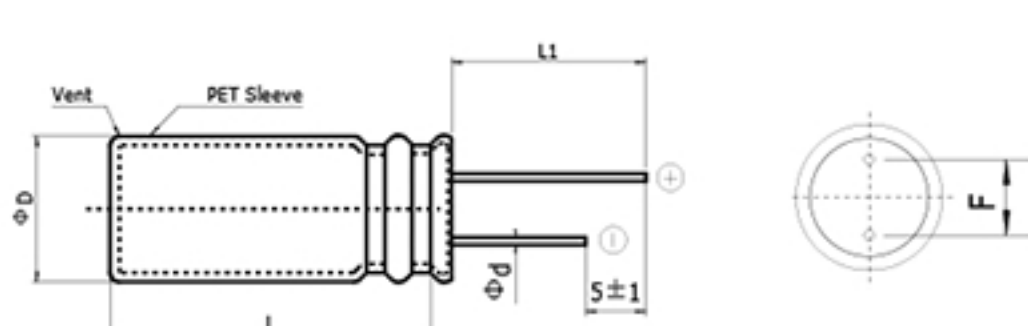
产品参数表

产品特点

产品应用

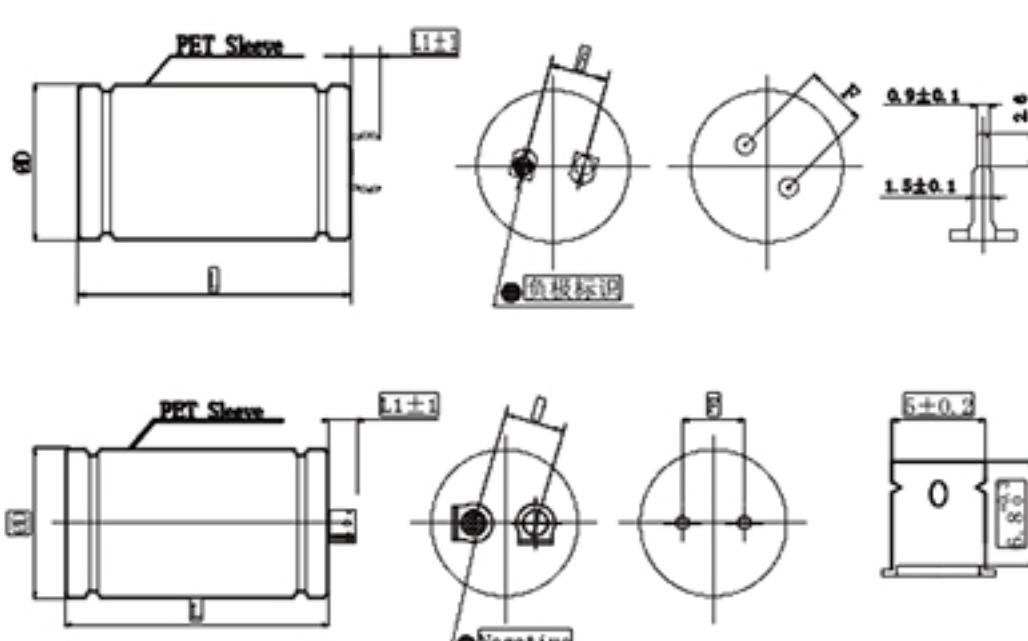
产品性能

导针型超级电容器示意图:



型号 Part Number	额定电压 Nominal Voltage ,V dc	容量 Capacitance F	容量 允许偏差 Cap.olerance	内阻 ESR , mΩ		尺寸 Size , mm			
				AC@1kHz	DC	φD×L	φd	F	L1
BRP002R8L104FA	2.8	0.1	0~+40%	450	675	5×12	0.5	2	28
BRP002R8L104FB	2.8	0.1	0~+40%	450	675	5×9.8	0.5	2	28
BRP002R8L154FA	2.8	0.15	±20%	400	600	5×12	0.5	2	28
BRP002R8L154FB	2.8	0.15	±20%	450	675	5×9.8	0.5	2	28
BRP002R8L224FA	2.8	0.22	±20%	500	750	5×12	0.5	2	28
BRP002R8L224FB	2.8	0.22	±20%	500	750	5×9.8	0.5	2	28
BRP002R8L254FA	2.8	0.25	±20%	500	750	5×12	0.5	2	28
BRP002R8L254FB	2.8	0.25	±20%	500	750	6.3×12	0.5	2.5	28
BRP002R8L354FA	2.8	0.35	±20%	400	600	5×12	0.5	2	28
BRP002R8L504FA	2.8	0.5	0~+40%	500	750	6.3×12	0.5	2.5	28
BRP002R8L504FB	2.8	0.5	±20%	500	750	5×12	0.5	2	28
BRP002R8L504FC	2.8	0.5	±20%	500	750	6.3×9.8	0.5	2.5	28
BRP002R8L704FA	2.8	0.7	0~+40%	400	600	8×13	0.6	3.5	30
BRP002R8L105FA	2.8	1	0~+40%	300	450	8×13	0.6	3.5	30
BRP002R8L105FB	2.8	1	0~+40%	200	300	8×19	0.6	3.5	30
BRP002R8L105FC	2.8	1	0~+80%	200	300	8×13	0.6	3.5	30
BRP002R8L105FD	2.8	1	±20%	300	450	6.3×12	0.5	2.5	28
BRP002R8L105FE	2.8	1	0~+40%	100	150	8×15	0.6	3.5	30
BRP002R8L105FG	2.8	1	0~+80%	80	120	10×20	0.6	5	30
BRP002R8L105FH	2.8	1	0~+40%	200	300	8×10	0.6	3.5	30
BRP002R8L205FA	2.8	2	±20%	140	210	8×19	0.6	3.5	30
BRP002R8L205FB	2.8	2	±20%	140	210	10×20	0.6	5	30
BRP002R8L305FA	2.8	3	0~+40%	100	150	8×19	0.6	3.5	30
BRP002R8L305FB	2.8	3	±20%	120	180	8×16	0.6	3.5	30
BRP002R8L335FA	2.8	3.3	±20%	80	120	10×20	0.6	5	30
BRP002R8L335FB	2.8	3.3	±20%	100	150	10×16	0.6	5	30
BRP002R8L405FA	2.8	4	±20%	80	120	10×20	0.6	5	30
BRP002R8L475FA	2.8	4.7	±20%	70	105	12.5×21	0.6	5	28
BRP002R8L475FB	2.8	4.7	±20%	70	105	10×20	0.6	5	30
BRP002R8L505FA	2.8	5	0~+40%	70	105	10×20	0.6	5	30
BRP002R8L505FB	2.8	5	±20%	70	105	16×26	0.8	7.5	30
BRP002R8L605FA	2.8	6	±20%	70	105	10×20	0.6	5	30
BRP002R8L705FA	2.8	7	±20%	70	105	10×25	0.6	5	30
BRP002R8L805FA	2.8	8	±20%	50	75	12.5×21	0.6	5	28
BRP002R8L805FC	2.8	8	±20%	50	75	12.5×20	0.6	5	30
BRP002R8L106FA	2.8	10	±20%	50	75	12.5×26	0.6	5	30
BRP002R8L106FB	2.8	10	±20%	50	75	12.5×34	0.6	5	30
BRP002R8L106FC	2.8	10	±20%	60	90	12.5×21	0.6	5	28
BRP002R8L106FD	2.8	10	±20%	50	75	10×30	0.6	5	30
BRP002R8L126FB	2.8	12	0~+40%	50	75	12.5×26	0.6	5	30
BRP002R8L156FA	2.8	15	±20%	30	45	16×26	0.8	7.5	30
BRP002R8L156FB	2.8	15	±20%	30	45	18×41	0.8	8	30
BRP002R8L166FA	2.8	16	±20%	30	45	16×21	0.8	7.5	30
BRP002R8L206FA	2.8	20	±20%	25	37.5	16×34	0.8	7.5	30
BRP002R8L226FA	2.8	22	±20%	25	37.5	16×26	0.8	7.5	30
BRP002R8L256FA	2.8	25	±20%	25	37.5	16×34	0.8	7.5	30
BRP002R8L306FA	2.8	30	±20%	25	37.5	16×34	0.8	7.5	30
BRP002R8L306FB	2.8	30	±20%	25	37.5	18×25	0.8	8	30
BRP002R8L406FA	2.8	40	±20%	20	30	18×41	0.8	8	30
BRP002R8L506FA	2.8	50	±20%	20	30	18×41	0.8	8	30
BRP002R8L606FA	2.8	60	±20%	15	22.5	18×41	0.8	8	30
BRP002R8L706FA	2.8	70	±20%	15	22.5	18×52	0.8	8	30
BRP003R0L105FA	3	1	0~+40%	300	450	8×13	0.6	3.5	30
BRP003R0L305FA	3	3	0~+40%	100	150	8×19	0.6	3.5	30
BRP003R0L335FA	3	3.3	±20%	80	120	10×20	0.6	5	30
BRP003R0L335FB	3	3.3	±20%	100	150	10×16	0.6	5	30
BRP003R0L505FA	3	5	0~+40%	70	105	10×20	0.6	5	30
BRP003R0L226FA	3	22	±20%	25	37.5	16×26	0.8	7.5	30
BRP003R0L256FA	3	25	±20%	25	37.5	16×34	0.8	7.5	30

盖板型超级电容器示意图:



型号 Part Number	额定电压 Nominal Voltage ,V dc	容量 Capacitance F	容量 允许偏差 Cap.olerance	内阻 ESR , mΩ		尺寸 Size , mm		
				AC@1kHz	DC	φD×L	F	L1
BRP002R8S606FA	2.8	60	±20%	14	16	22.4×45.5	10	5.5
BRP002R8S107FA	2.8	100	±20%	12	14	22.4×45.5	10	5.5
BRP002R8S157FA	2.8	150	±20%	12	14	25.2×52.5	10	5.5
BRP002R8S207FB	2.8	200	±20%	10	11	35.6×61.5	10	6.5
BRP002R8S307FA	2.8	300	±20%	8	9	35.6×61.5	10	6.5
BRP002R8S367FB	2.8	360	±20%	8	9	35.6×61.5	10	6.5
BRP002R8C207FB	2.8	200	±20%	10	11	35.6×61.5	14	6.5
BRP002R8C307FA	2.8	300	±20%	2.7	3	35.6×61.5	14	6.5
BRP002R8C307FB	2.8	300	±20%	8	9	35.6×61.5	14	6.5
BRP002R8C367FA	2.8	360	±20%	2.7	3	35.6×61.5	14	6.5
BRP002R8C367FB	2.8	360	±20%	8	9	35.6×61.5	14	6.5
BRP003R0S157FA	3	150	±20%	12	18	25.2×52.5	10	6.5
BRP003R0S367FB	3	360	±20%	8	12	35.6×61.5	10	6.5
BRP003R0C367FA	3	360	±20%	3	4.5	35.6×61.5	14	6.5
BRP003R0C367FB	3	360	±20%	8	12	35.6×61.5	14	6.5